



PRODUCT SPECIFICATION



Product name:	<u>UHF Anti-metal Sticker</u>
Item NO.:	<u>LDR-4025M</u>
Version:	<u>V1.0</u>
Date:	<u>2019.12.15</u>

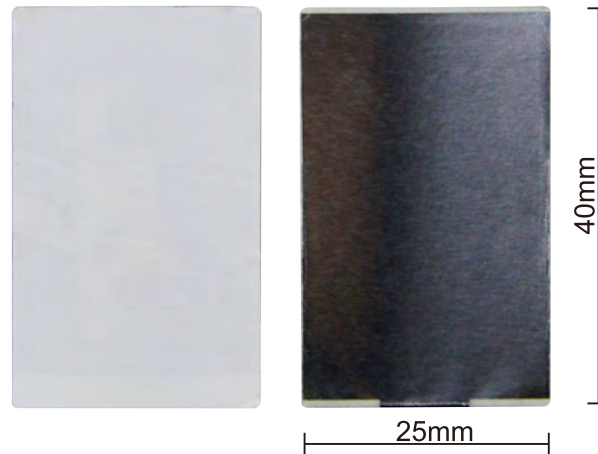
Tel: +86-755-89379391

Fax: +86-755-89379456

E-mail: sales@leadercolor.com

www.leadercolor.com

Add: 2F, Building A11, No.6 Xinfeng Road, Taizhong Industrial Zone, Longgang District, Shenzhen China 518172



Quick Details

LDR-4025M Flexible UHF Anti-metal Sticker is our self-designed and self-developed tag which is suitable for metal and liquid objects' management. With special anti-metal material and Monza R6-P chip, its read range up to 0.45meters by handheld reader when it pastes on the metal surface. Lightweight and paper-like shape makes it easy to attach to curved surfaces like air cylinder, pipeline, metal container and assets. It supports printing on RFID printer by rolls.

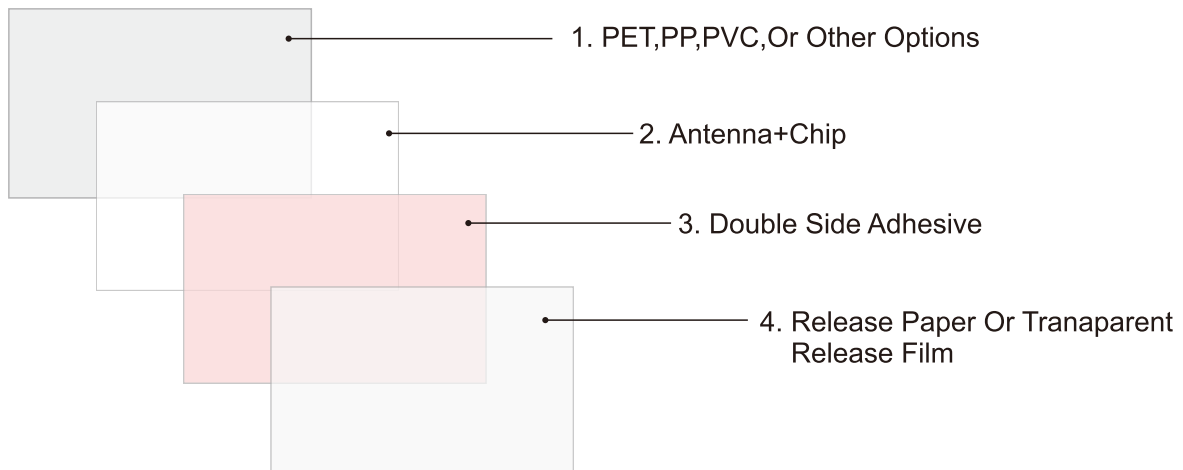
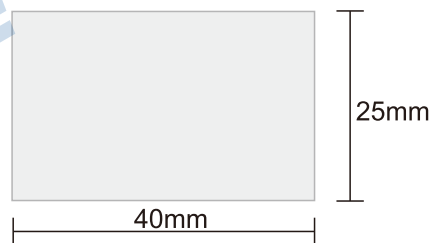
RFID Parameter

Model No.	LDR-4025M
Type	Passive UHF RFID Tag
Protocol	ISO/IEC 18000-6C, EPC Class1 Gen2
Frequency	EU Standard 865-868mhz, US Standard 902-928mhz
Chip	Impinj Monza MR6-P
Memory	EPC: 128(96)bits/Unique TID: 48bits/User: 32(64)bits/ Password: 32bits access, 32bits kill/User 512bits
Read&Write	Supported
Read Range	Max. 0.45meter
Data retention	10years
Programming Cycles	100,000 cycles
Anti-collision	Support multiple tags reading

Physical Parameter

Size	40×25×0.9mm / 1.57×0.98×0.035inch
Substrate Material	Transparent Release Film
Antenna Material	PET+ Etched Alumium
Surface Material	PET Waterproof (Thermal or Transfer Optional)
Tamper Proof	Yes
Encode	Supported
Installation	Self adhesive
Operating Temperature	-40℃ ~ +85℃
Operating Humidity	20% ~ 90%RH, Non-condensing
Package	500pcs/roll
Remark	When it pastes on curving objects, the read range will be shorted by half.
Roll Diameter	Inner size: 3 inches (76.2 mm)/Outter size: 8 inches (203 mm)

Structure



Application

- NFC posters, NFC device data connection and data transmission
- Mobile payment, Mobile wallet
- Product identification, personnel identification management
- E-ticketing, Loyalty System, Marketing and Advertisements

