



## Product Specification



<b>Product name:</b>	<u>RFID NFC Sticker</u>
<b>Item No.:</b>	<u>LDF-D25L</u>
<b>Version:</b>	<u>V1.0</u>
<b>Date:</b>	<u>2020.04.03</u>

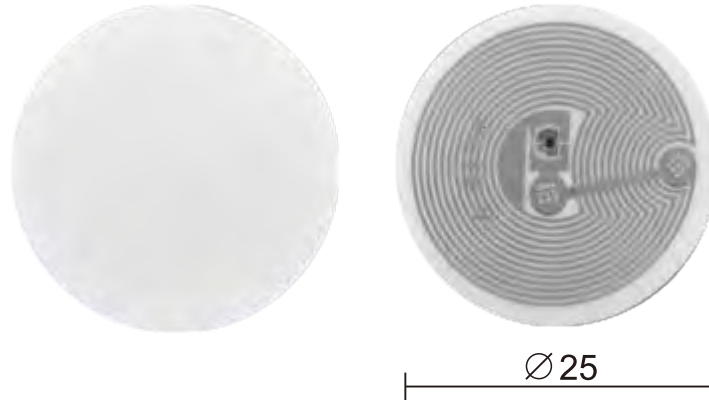
Tel: +86-755-89379391

Fax: +86-755-89379456

E-mail: [sales@leadercolor.com](mailto:sales@leadercolor.com)

[www.leadercolor.com](http://www.leadercolor.com)

Add: 2F, Building A11, No.6 Xinfeng Road, Taizhong Industrial Zone, Longgang District, Shenzhen China 518172



## Quick Details

Leadercolor LDF-D25L RFID NFC Label is compliant with ISO14443A protocol and it fits for all 13.56MHz Type A readers and antennas. Its read range up to 10cm and it supports printing on printer by rolls. It is mostly used for mobile payment, E-ticketing and Product Authentication.

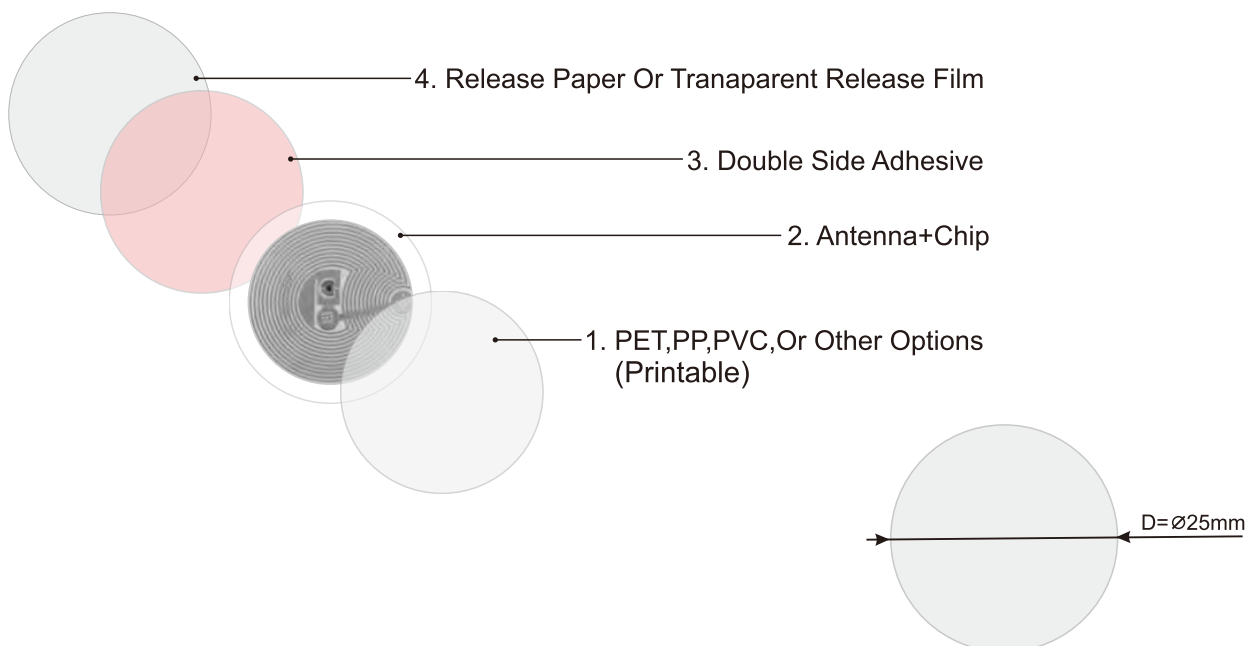
## RFID Parameter

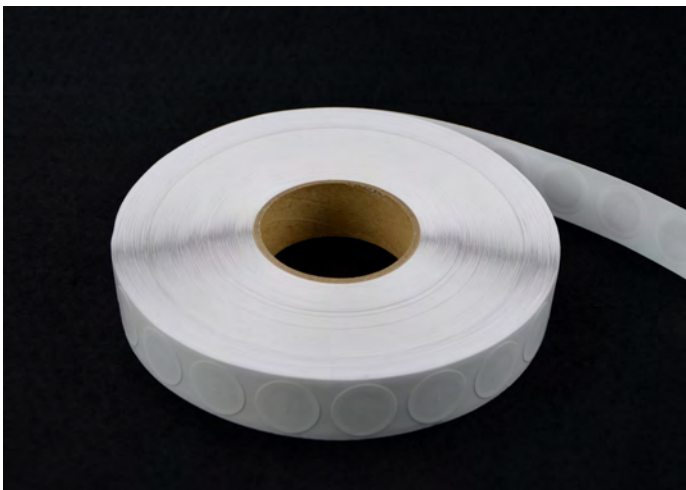
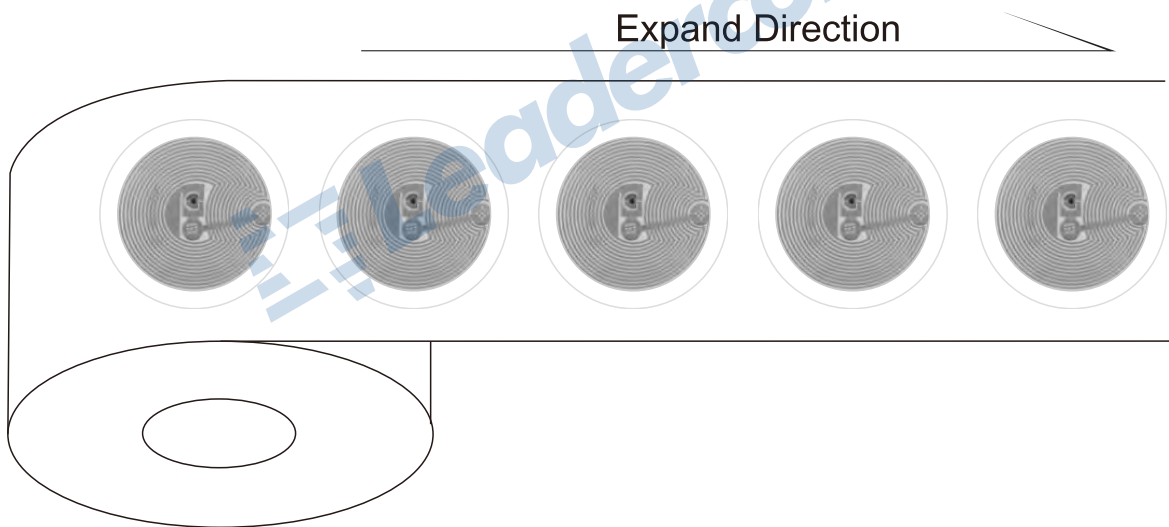
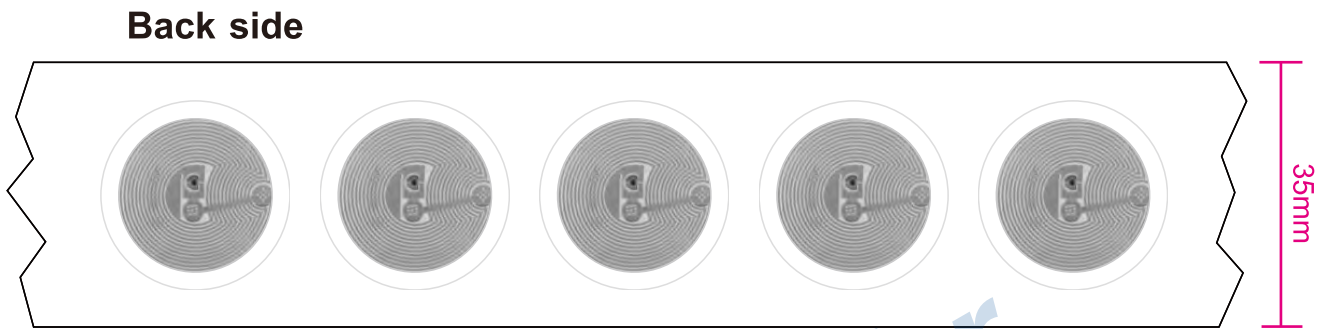
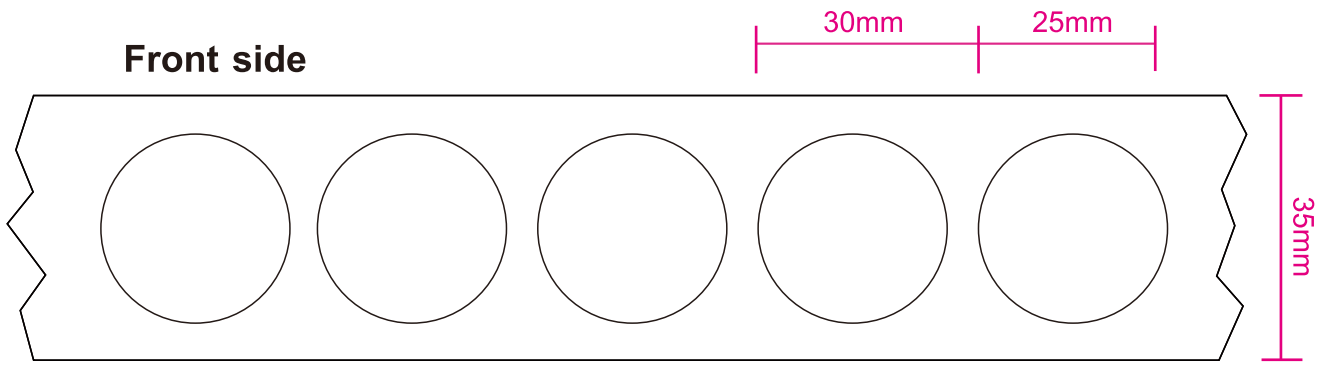
Model No.	LDF-D25L		
Type	HF NFC Sticker		
Protocol	ISO / IEC 14443 A & 18000-3		
Frequency	Worldwide HF 13.56MHz		
Chip	NTAG® 213	NTAG® 216	NTAG® 215
Memory	UID 7Byte	UID 7Byte	UID 7Byte
	User 144 Byte	User 888 Byte	User 504 Byte
Read&Write	Supported		
Read Range	0.1-10cm		
Data retention	10years		
Programming Cycles	100,000 cycles		

## Physical Parameter

Size	Diameter 25mm / Diameter 0.98inch;
Substrate Material	Transparent Release Film
Antenna Material	Aluminum Etching
Surface Material	PVC waterproof
Encode	Supported
Installation	Self adhesive
Operating Temperature	-25°C ~ +65°C
Operating Humidity	20% ~ 90%RH
Roll diameter	Inner 3inches
Package	3000pcs/roll, 5000pcs/roll
customized Service	Optional Chips: MIFARE® Series, NTAG® Series Optional Materials: Coated Paper; PVC Paper; Synthetic PP Paper; PET Paper; Optional Glues: Standard Glues; 3M Glues; Strong Glues; Optional Printing: Offset Printing; Barcode Printing; UID Number Printing; UV Printing Optional Crafts: UID encoding; Optional Sizes: Smaller or Bigger

## Structure





## Application

- NFC posters, NFC device data connection and data transmission
- Mobile payment, Mobile wallet
- Product identification, personnel identification management
- E-ticketing, Loyalty System, Marketing and Advertisements

