

SPECIFICATION



Product name: UHF RFID Windshield Tag

Item No.: LDR-10225

Version: V1.0

Date: 2019.10.29



Quick Details

Leadercolor LDR-10225 UHF RFID Windshield Tag is designed in RFID technology with chip and inlay inside. It is mainly used for automatic vehicle identification system and auto glass retail management. Shape of label, long reading range over 10meters, waterproof and tamper proof which makes it an high end product in access control.

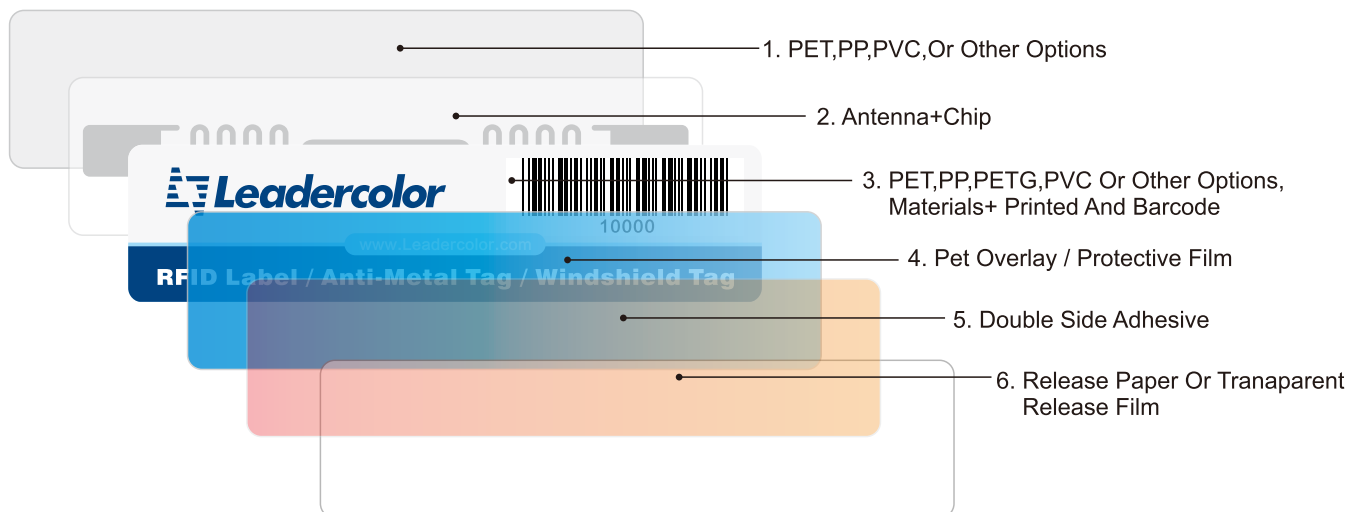
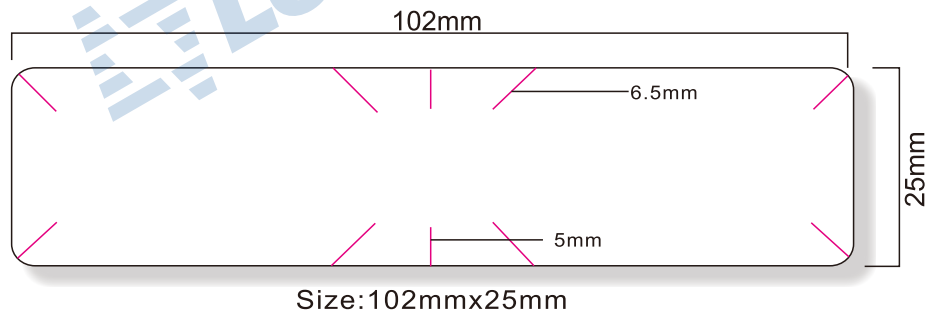
RFID Parameter

Model No.	LDR-10225
Type	Passive UHF RFID Tag
Protocol	ISO/IEC 18000-6C, EPC Class1 Gen2
Frequency	Worldwide 840-960Mhz, US 902-928mhz, EU 865-868Mhz
Chip	NXP U Code8 (can be customized)
Memory	EPC 128bits / TID 48bits / User 0bits
Read&Write	Supported
Read Range	1-15meters adjustable(reader and environment dependent)
Data retention	10years
Programming Cycles	100,000 cycles
Anti-collision	Support multiple tags reading

Physical Parameter

Size	102×25x0.5mm
Substrate Material	Transparent Release Film
Antenna Material	Aluminum Etching
Printing	Offset printing, barcode, series number and logo printing
Encode	Supported
Tamper Proof	Yes
Strong Glue	Yes
Installation	Self adhesive
Operating Temperature	-50℃ ~ +85℃
Operating Humidity	20% ~ 90%RH
Package	Roll / Single

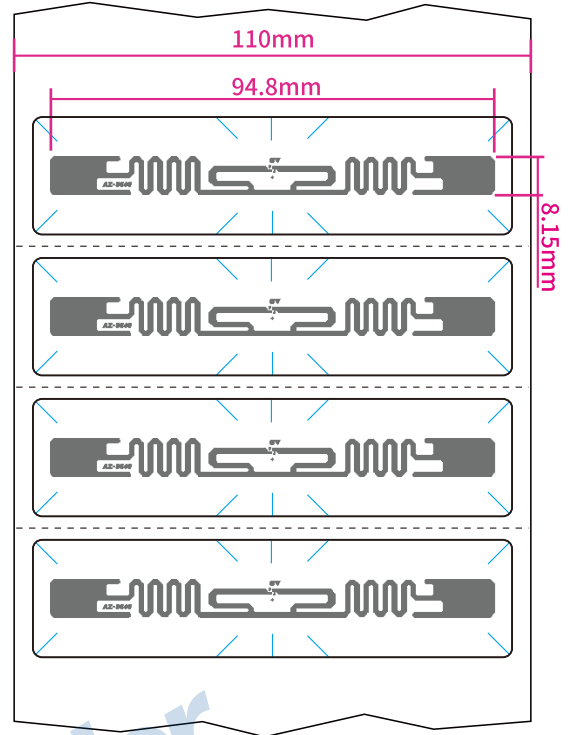
Structure



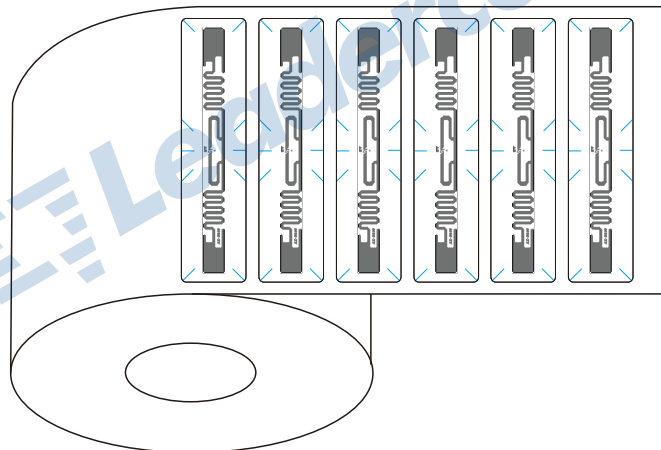
Front side



Back side



Expand Direction



Package

Size:33x13x8cm



Application

- Vehicle access control, Toll collection, Electronic vehicle registration or parking, Security access, Car wash project
- Fleet management
- Auto Glass Retail Management

