



Product Specification



Product name: Passive UHF RFID Sticker

Item No.: LDR-D39L

Version: V1.0

Date: 2019.12.09

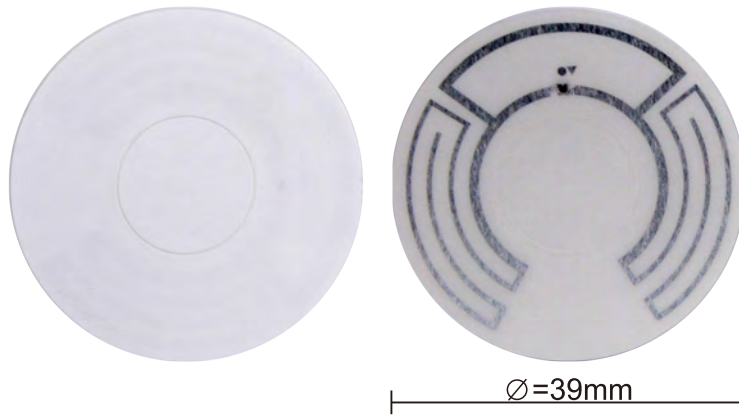
Tel: +86-755-89379391

Fax: +86-755-89379456

E-mail: sales@leadercolor.com

www.leadercolor.com

Add: 2F, Building A11, No.6 Xinfeng Road, Taizhong Industrial Zone, Longgang District, Shenzhen China 518172



Quick Details

LDR-D39L UHF RFID Disc tag is compliant with EPC C1G2 (ISO18000-6C) standard and it fits for all 860-960MHz UHF RFID readers and antennas. It is designed in small round size as CDs and it can stick on CD directly. It is mainly used for managing DVD/CD in library or shops. The CD RFID Tags realized time-saving and easier management for publisher, library, data bank etc.

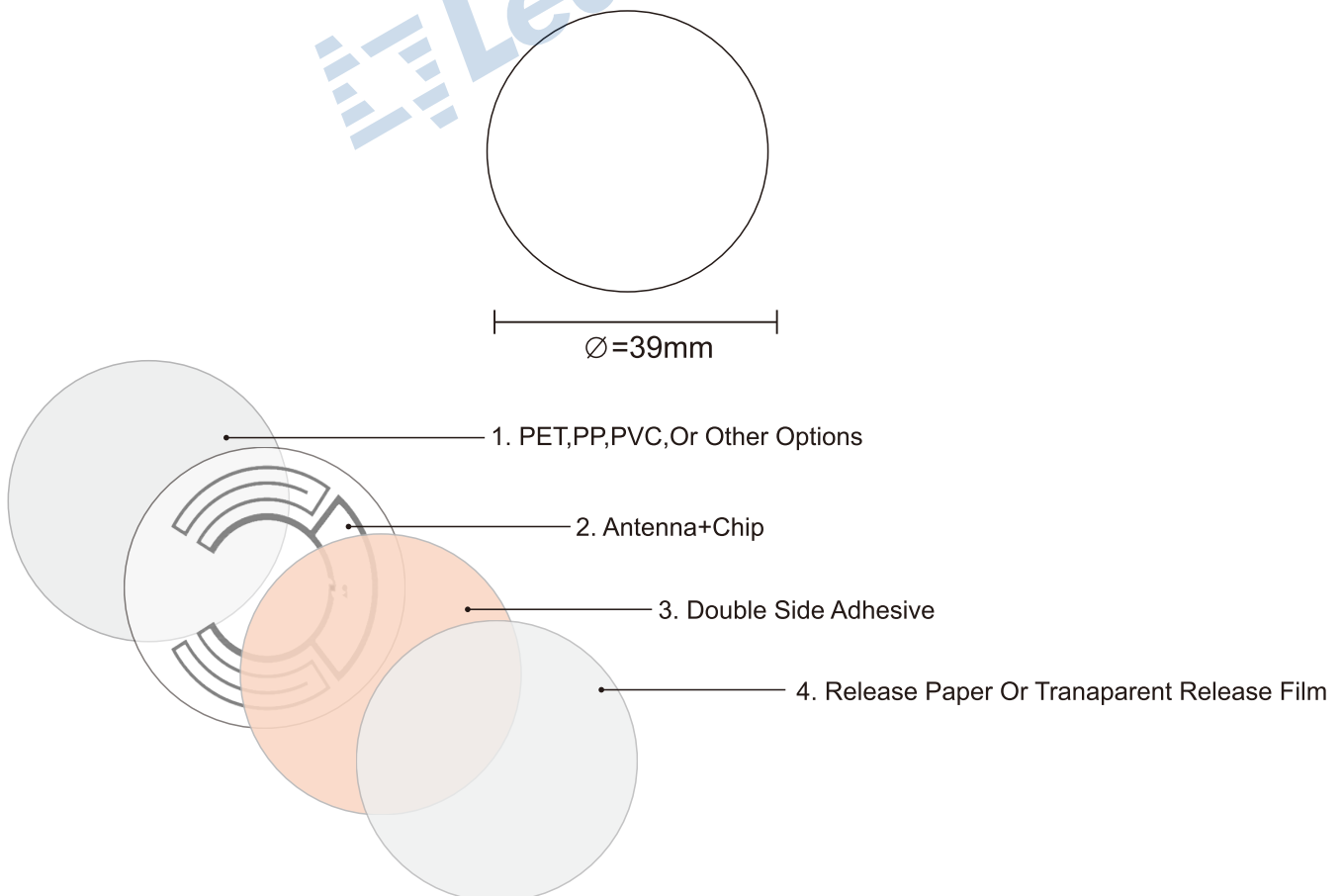
RFID Parameter

| | |
|--------------------|--|
| Model No. | LDR-D39L |
| Type | Passive UHF RFID Sticker |
| Protocol | ISO/IEC 18000-6C, EPC Class1 Gen2 |
| Frequency | Worldwide 840-960MHz, US 902-928MHz, EU 865-868MHz |
| Chip | Impinj Monza4E (100um Thickness) |
| Antenna | Al(9µm)+PET(50µm)Etched Aluminum (9µm)+ PET (50µm) |
| Memory | EPC Up to 496bits/TID 48bits/Unique TID 48bits/ Password 32bits Access, 32Bits Access, 32Bits Kill/User 128bits |
| Read&Write | Supported |
| Read Range | 0.1-1.5meters adjustable(reader and environment dependent) |
| Data retention | 10years |
| Programming Cycles | 100,000 cycles |
| Anti-collision | Support multiple tags reading |

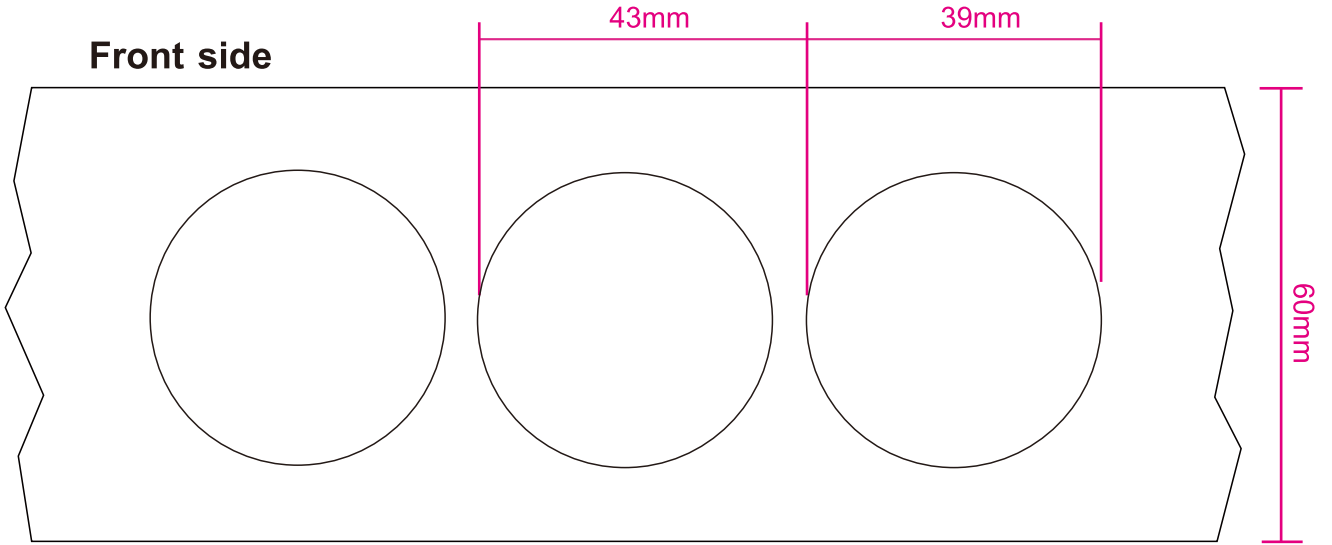
Physical Parameter

| | |
|-----------------------|---|
| Size | OD 39mm, ID15mm/ OD 1.54inch, ID 0.59inch |
| Substrate Material | Transparent Release Film |
| Antenna Material | Aluminum Etching |
| Surface Material | Coated Paper(Thermal or Transfer Optional) |
| Installation | Self adhesive |
| Operating Temperature | -25°C ~ +65°C |
| Operating Humidity | 20% ~ 90%RH |
| Package | Roll |
| Customized Service | Optional Chips: MIFARE® Series, NTAG® Series Optional Materials: Coated Paper; PVC Paper; Synthetic PP Paper; PET Paper; Optional Glues: Standard Glues; 3M Glues; Strong Glues; Optional Printing: Offset Printing; Barcode Printing; UID Number Printing; UV Printing Optional Crafts: UID encoding; Optional Sizes: Smaller or Bigger |

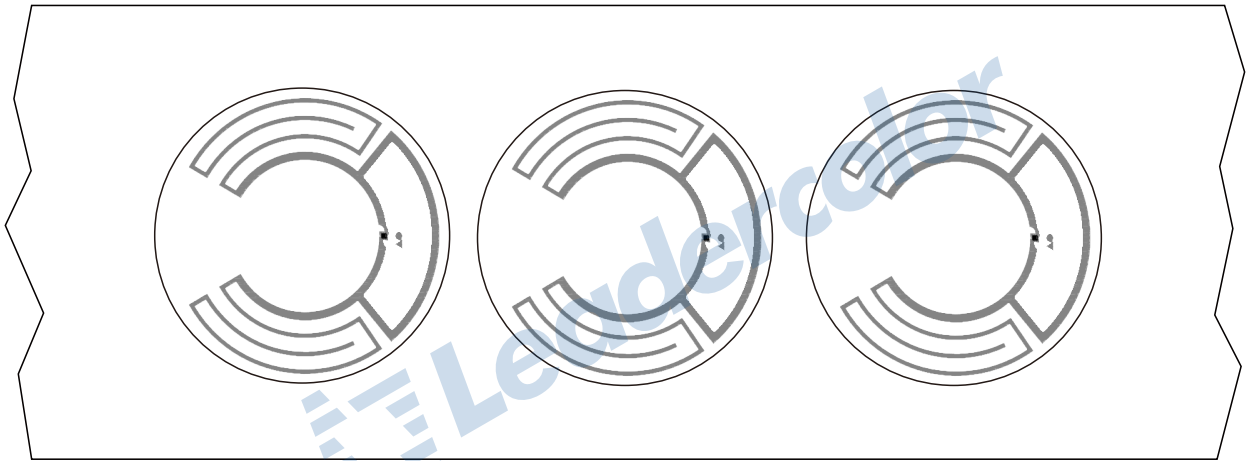
Structure



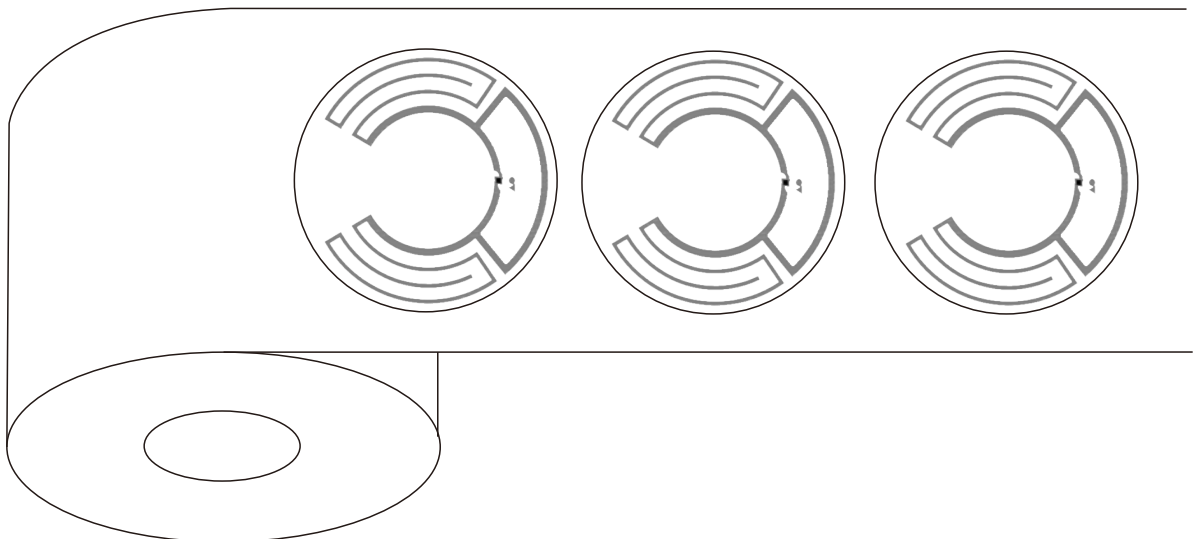
Front side



Back side



Expand Direction



 Application

- CD/DVD/Disc tracking management;
- Publisher, library, data bank management;

