



## PRODUCT SPECIFICATION



<b>Product name:</b>	<u>UHF RFID Sewing Label</u>
<b>Item NO.:</b>	<u>LDR-5035F</u>
<b>Version:</b>	<u>V1.0</u>
<b>Date:</b>	<u>2021.03.04</u>

Tel: +86-755-89379391

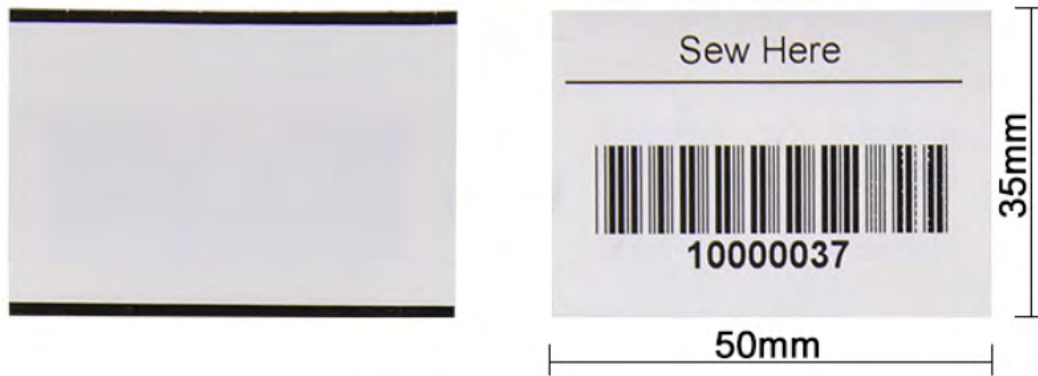
Fax: +86-755-89379456

E-mail: [sales@leadercolor.com](mailto:sales@leadercolor.com)

[www.leadercolor.com](http://www.leadercolor.com)

Add: 2F, Building A11, No.6 Xinfeng Road, Taizhong Industrial Zone, Longgang District, Shenzhen China 518172

## OTHER SIZES CAN BE CUSTOMIZED



## Quick Details

LDR-5035F UHF RFID Sewing Label is compliant with EPC C1G2 (ISO18000-6C) standard and it fits for all 860-960mhz UHF RFID readers and antennas. It is made in fabric material which is waterproof, soft, durable and nontoxic, it is mainly used for sewing and ironing in clothing industry.

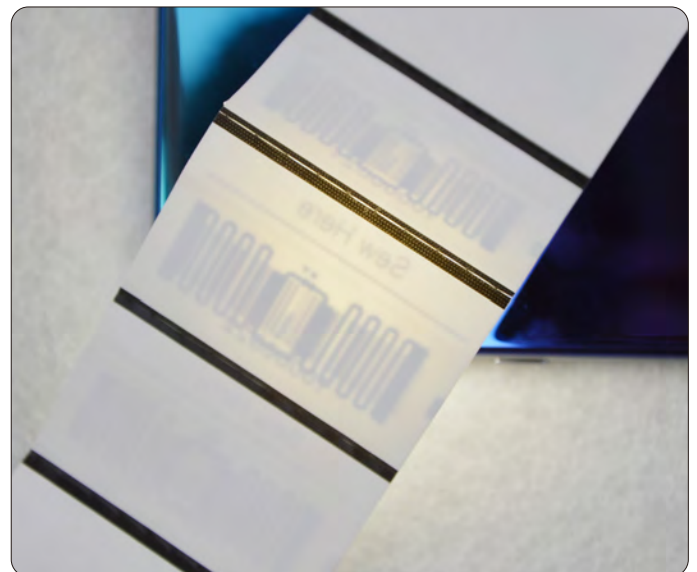
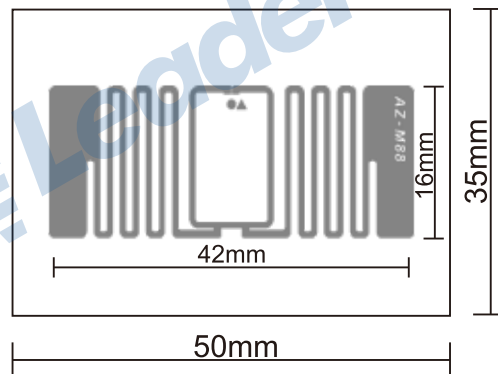
## RFID Parameter

Model No.	LDR-5035F
Type	Passive UHF RFID Fabric Tag
Protocol	ISO/IEC 18000-6C, EPC Class1 Gen2
Frequency	Worldwide 840-960Mhz, US 902-928mhz, EU 865-868Mhz
Chip	Impinj/Monza R6
Memory	EPC 96bit/TID 48bits/User 0bits
Read&Write	Supported
Read Range	1-3meters adjustable(reader and environment dependent)
Data retention	10years
Programming Cycles	100,000 cycles
Anti-collision	Support multiple tags reading

## Physical Parameter

Size	50×35mm / 1.97×1.38inch
Material	Nylon Fabric
Antenna Material	Aluminum Etching
Washing Condition	Washing max 30min at +20~ +40°C
Heat resistance	-25°C ~+65°C
Installation	Sewing or insert
Package	Roll
Customized Service	Logo printing, Series No. printing, Encoding, Size, Chip&Inlay

## Picture



## Application

- Apparel, Linen and Laundry management;
- Hotel, spa, retirement home management;
- Hospital uniforms, Dry cleaners, Launderers;

