

SPECIFICATION

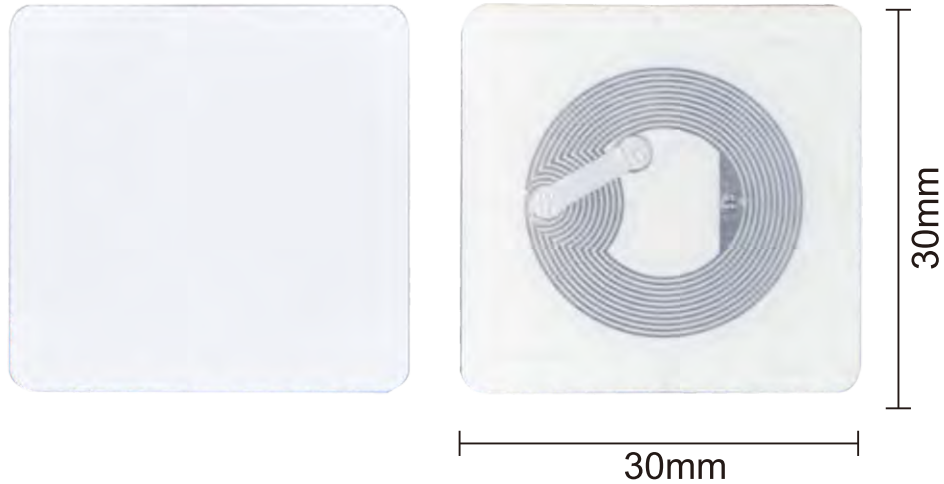


Product name: Tamper Proof RFID NFC Label

Item No.: LDF-3030L

Version: V1.0

Date: 2019.12.10



Quick Details

Leadercolor LDF-3030L RFID NFC Label is compliant with ISO14443A protocol and it fits for all 13.56mhz Type A readers and antennas. It's read range up to 10cm and it supports printing on printer by rolls. It mostly used for mobile payment, E-ticketing and Product Authentication.

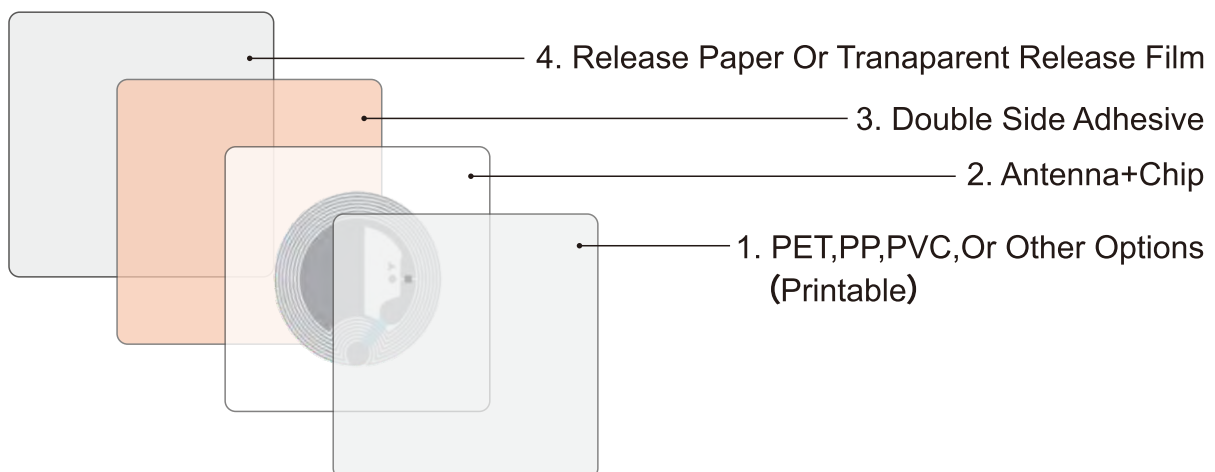
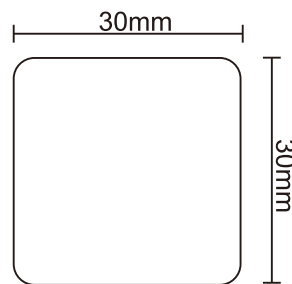
RFID Parameter

Model No.	LDF-3030L
Type	HF NFC Sticker
Protocol	ISO / IEC 14443 A & 18000-3
Frequency	Worldwide HF 13.56Mhz
Chip	NTAG® 213
Memory	UID 7Byte, User 144 Byte
Read&Write	Supported
Read Range	0.1-10cm
Data Retention	10years
Programming Cycles	100,000 cycles

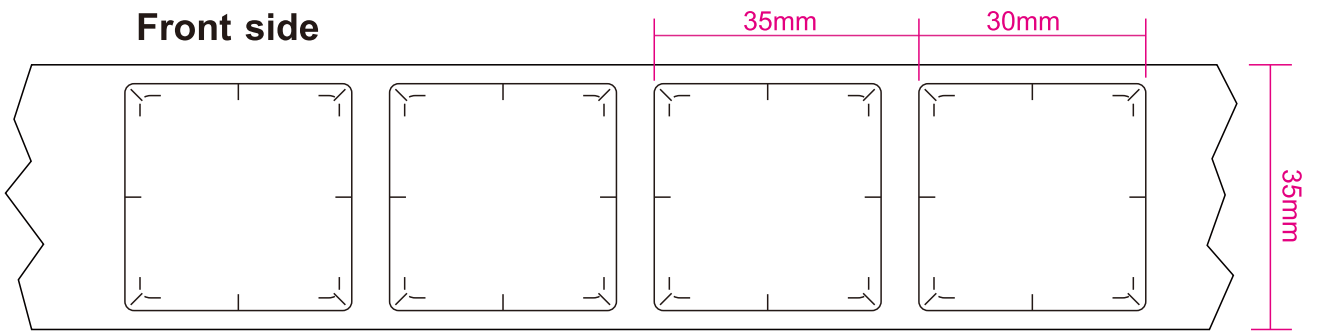
Physical Parameter

Size	30x30mm
Substrate Material	Transparent Release Film
Antenna Material	Aluminum Etching
Surface Material	PVC waterproof
Tamper Proof	Yes
Encode	Supported
Installation	Self adhesive
Operating Temperature	-25°C ~ +65°C
Operating Humidity	20% ~ 90%RH
Package	2000pcs/roll, 2500pcs/roll, 3000pcs/roll
Customized Service	Optional Chips: MIFARE® Series, NTAG® Series Optional Materials: Coated Paper; PVC Paper; Synthetic PP Paper; PET Paper; Optional Glues: Standard Glues; 3M Glues; Strong Glues; Optional Printing: Offset Printing; Barcode Printing; UID Number Printing; UV Printing Optional Crafts: UID encoding; Optional Sizes: Smaller or Bigger

Structure



Front side



Back side



Expand Direction



Application

- NFC posters, NFC device data connection and data transmission
- Mobile payment, Mobile wallet
- Product identification, personnel identification management
- E-ticketing, Loyalty System, Marketing and Advertisements

