

## UHF RFID CD Label



### Quick Details

LDR-D33L UHF RFID Disc tag is complaint with EPC C1G2 (ISO18000-6C) standard and it fits for all 860-960mhz UHF RFID readers and antennas. It is designed in small round size as CDs and it can stick on CD directly. It is mainly used for managing DVD/CD in library or shops. The CD RFID Tags realized time-saving and easier management for publisher, library, data bank etc.

### Description

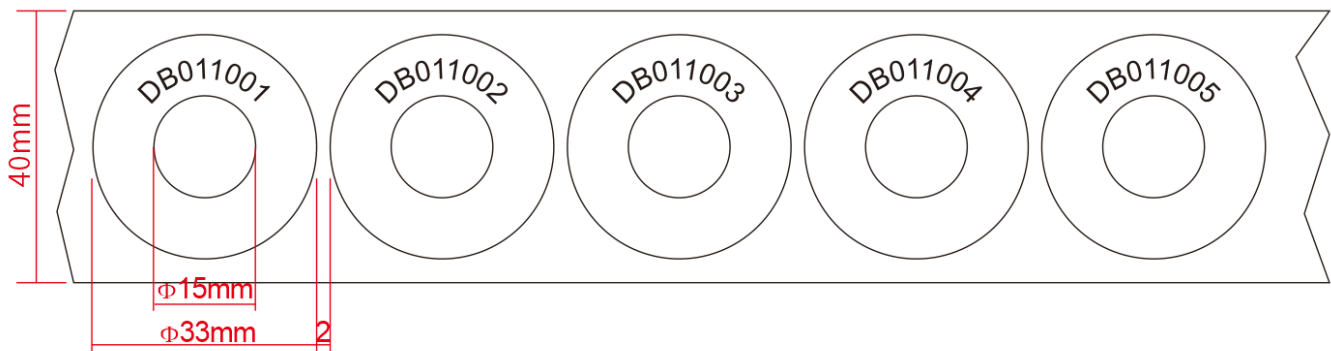
RFID Parameter	
Model No.	LDR-D33L
Type	Passive UHF RFID Label
Protocol	ISO/IEC 18000-6C, EPC Class1 Gen2
Frequency	Worldwide 840-960Mhz, US 902-928mhz, EU 865-868Mhz
Antenna	Al(9µm)+PET(50µm)Etched Aluminum (9µm)+ PET (50µm)
Chip	Ucode9
Memory	EPC 96bits
	TID 48bits
	User 0bits
Read&Write	Supported
Read Range	0.1-2.5meters adjustable(reader and environment dependent)
Data retention	10years
Programming Cycles	100,000 cycles
Anti-collision	Support multiple tags reading

Physical Parameter	
Size	OD 33mm, ID15mm/ OD 1.30inch, ID 0.59inch
Substrate Material	Transparent Release Film
Antenna Material	Aluminum Etching
Surface Material	Coated Paper(Thermal or Transfer Optional)
Installation	Self adhesive
Operating temperature	-25℃ ~ +65℃
Operating humidity	20% ~ 90%RH
Package	Roll
Customized Service	Optional Materials: Coated Paper; PVC Paper; Synthetic PP Paper; PET Paper; Optional Glues: Standard Glues; 3M Glues; Strong Glues; Optional Printing: Offset Printing; Barcode Printing; Series Number Printing; UV Printing Optional Crafts: Tamper Proof ; Encoding;

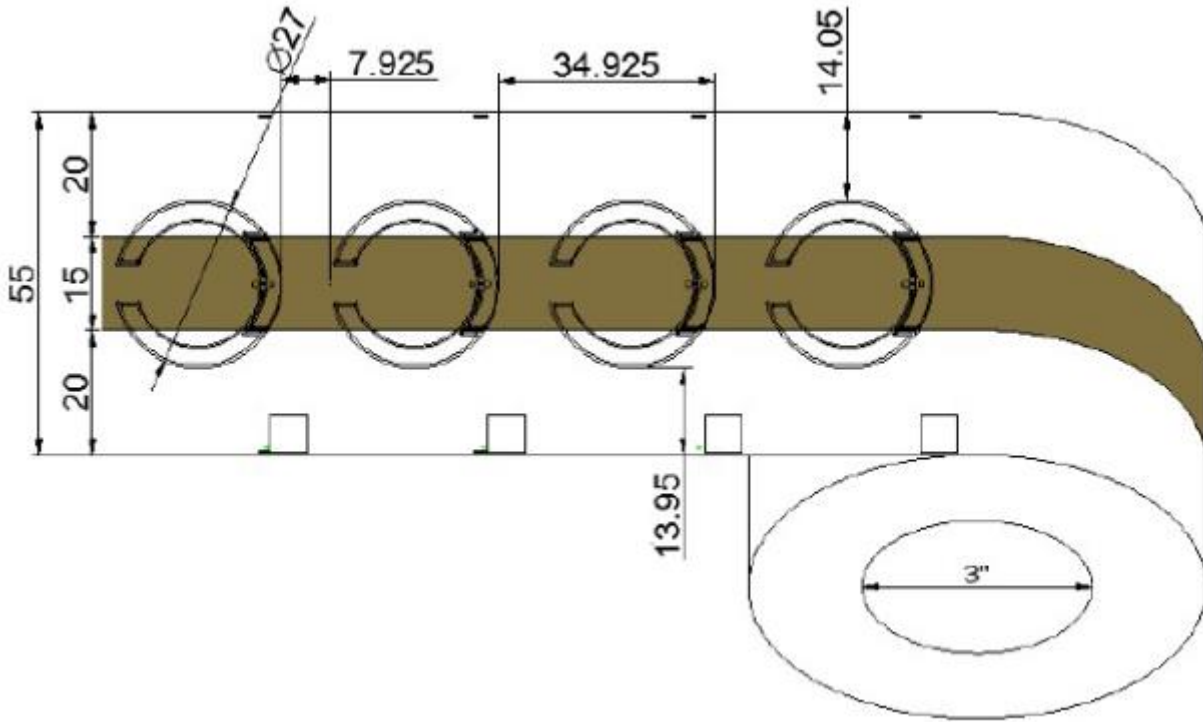
### Applications

- ✓ CD/DVD/Disc tracking management;
- ✓ Publisher, library, data bank management;

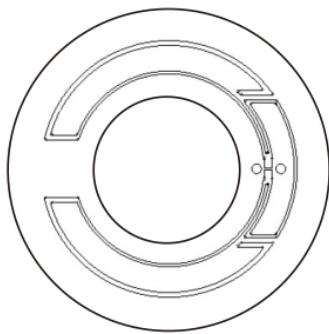
### Lable size



**Antenna size**



**Antenna inside label**



Arial: 12pt

