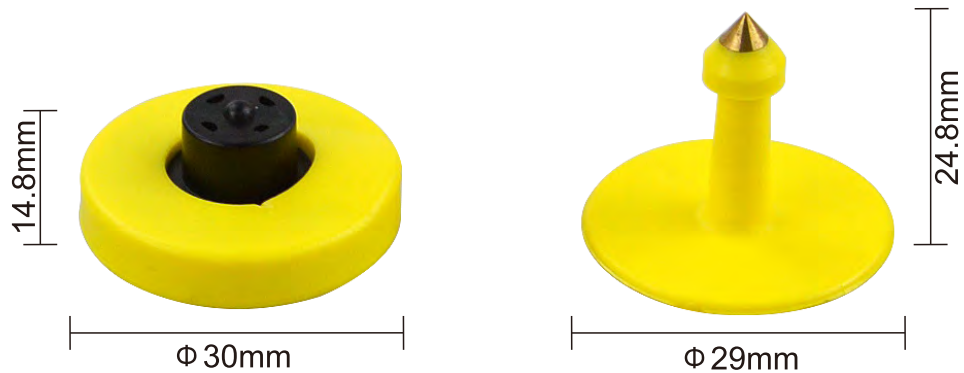


SPECIFICATION



Product Name: LF RFID Animal Ear Tag

Item No.: LDI-D30A



Quick Details

LDI-D30A 134.2khz RFID Ear Tag is designed for livestock management which is effective to keep tracking of livestock, such as sheep and deers. It helps ranchers to manage their sheep easily and time-saving, not only on counting sheep numbers, but also record their vaccine, growth, weight and so on.

RFID Parameter

Model No.	LDI-D30A
Type	134.2khz RFID Ear Tag
Protocol	ISO11784/11785
Frequency	134.2Khz
Chip	HDX / FDX
Data retention	5years

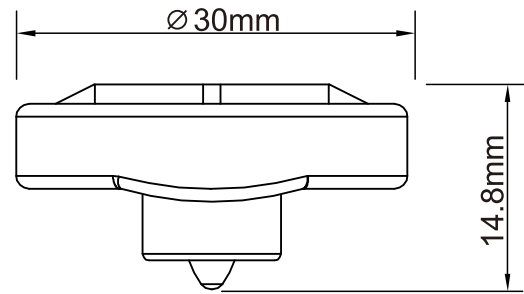
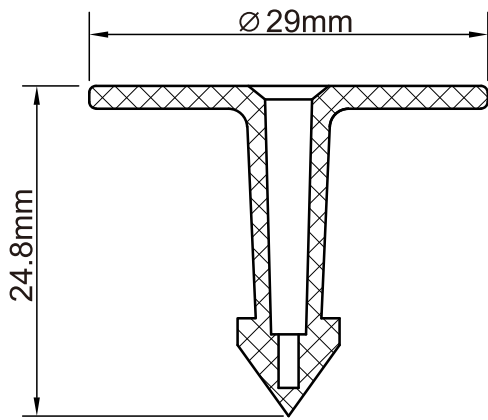
Physical Parameter

Size	Female tag: $\Phi 30 \times 14.8 \text{mm}$ ($\Phi \times H$); Male tag: $\Phi 29 \times 24.8 \text{mm}$ ($\Phi \times H$)
Color	Yellow
Surface Material	TPU, soft, environmental friendly and non-toxic
Installation	Self adhesive
Operating Temperature	$-30^{\circ}\text{C} \sim +85^{\circ}\text{C}$
Operating Humidity	20% ~ 90%RH
Package	Female tag: 100pcs/bag, Male tag: 100pcs/bag, 1000sets/carton
Customized Service	Laser printing, Color customized

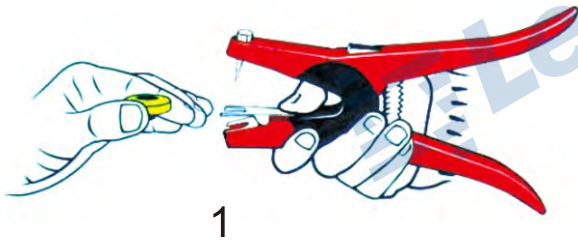
Picture



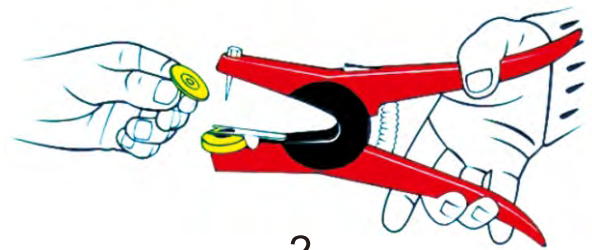
 Size



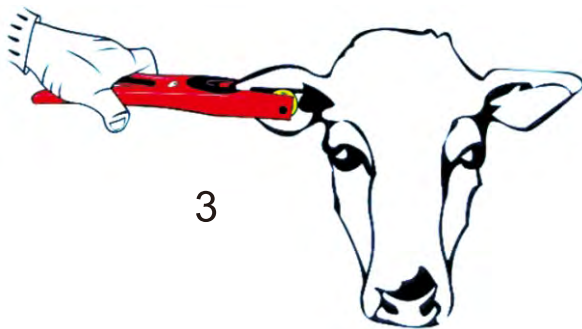
 Installation



1



2



3



 Application

- Livestock animal identification
- Sheep, pigs and dog's tracking
- Intelligent cow management

