

# SPECIFICATION



**Product Name:** RFID Animal Ear Tag

**Item No.:** LDR-8370A



## Quick Details

LDR-8370A UHF RFID Ear Tag is shaped in square with water-permeable cap which ensures tamper proof function and outflow of water and blood to avoid animal ear infection. It is designed for livestock management which is effective to keep tracking of livestock, such as cows, sheeps and deers. It helps ranchers to manage their sheeps easily and time-saving, not only on counting sheep numbers, but also record their vaccine, growth, weight and so on.

## RFID Parameter

Model No.	LDR-8370A
Type	Passive UHF RFID Animal Tag
Protocol	ISO/IEC 18000-6C, EPC Class1 Gen2
Frequency	Worldwide 840-960Mhz
Chip	Ucode 8
Memory	EPC 128bits / TID 48bits / User 0bits
Read&Write	Supported
Data Retention	10years
Read Range	5-10meters adjustable(long range fixed reader)
	50cm (handheld reader)
Anti-collision	Support multiple tags reading



## Physical Parameter

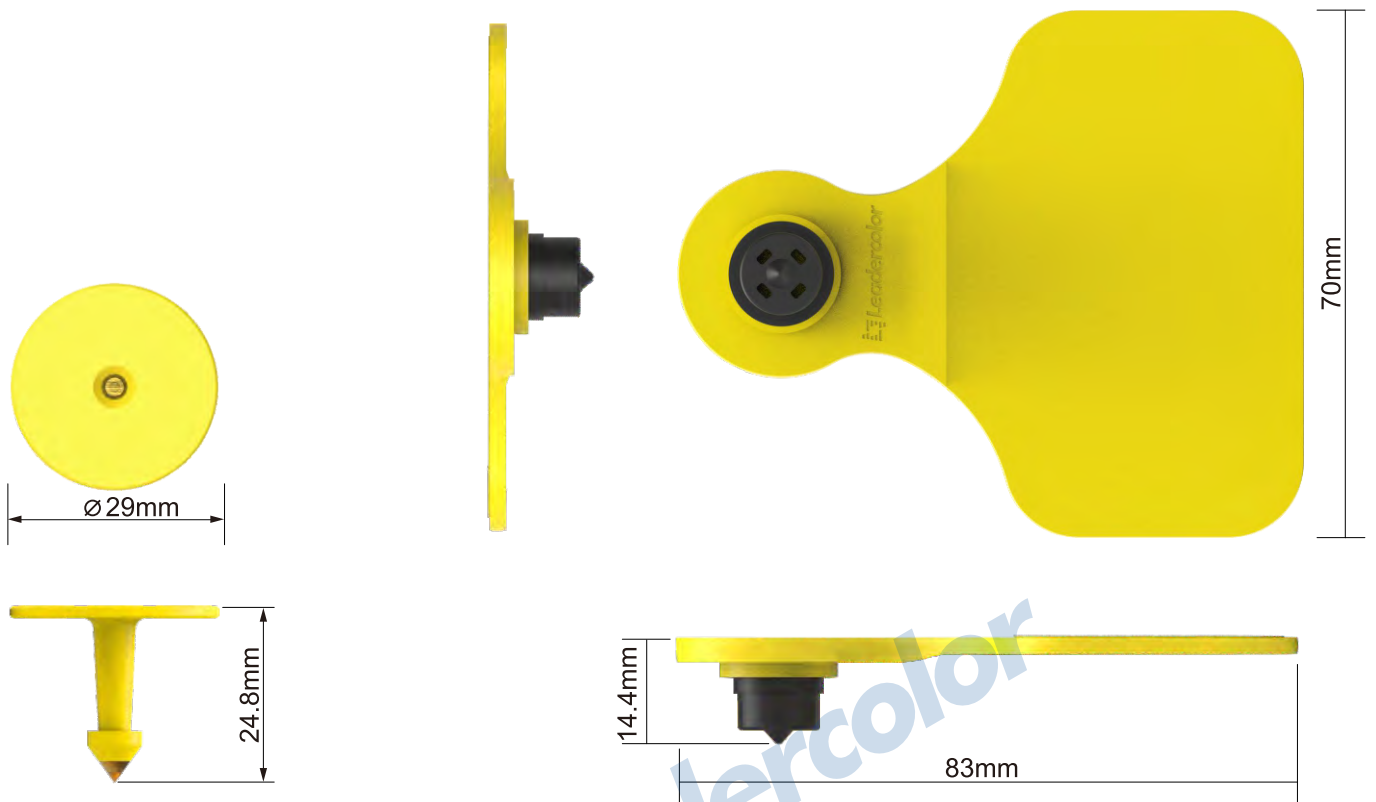
Size	Female tag: 83×70×14.4mm, Male tag: Dia 29×24.8mm
Color	Yellow, other color customized
Antenna Material	PET+ Aluminum Etching
Surface Material	TPU, soft, environmental friendly and non-toxic
Installation	Ear tag plier
Operating Temperature	-30℃ ~ +85℃
Operating Humidity	20% ~ 90%RH
Package	Female tag: 100pcs/bag, Male tag: 100pcs/bag, 1000sets/carton
Customized Service	Laser Printing / Color / Chip / Antenna / EPC Pre-written



## Picture



 Size



 Installation



 Application

- Livestock animal identification
- Sheep, pigs and dog's tracking
- Intelligent cow management

